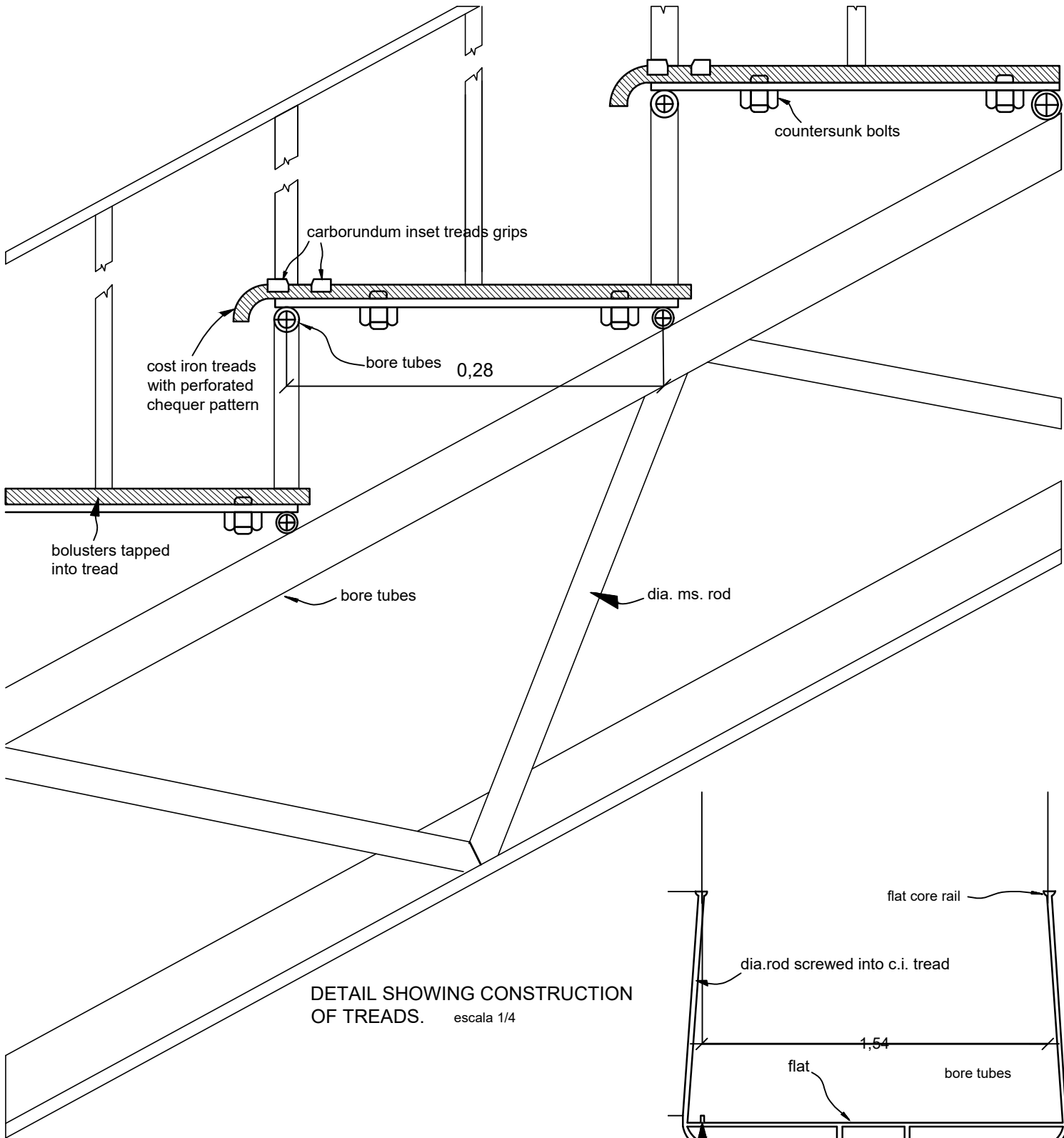
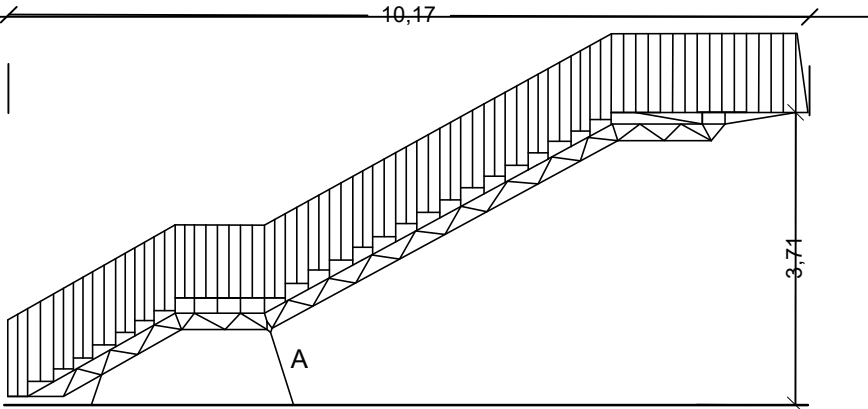
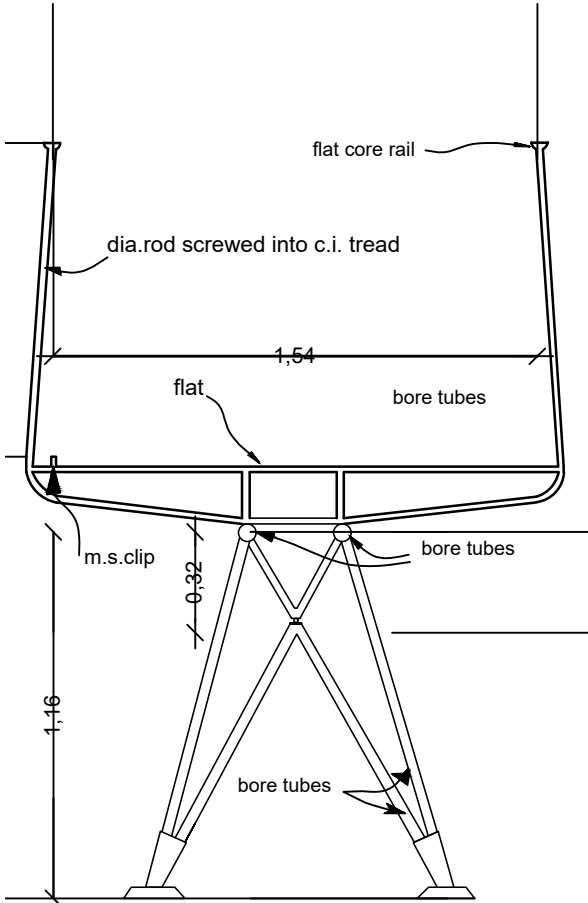


STAIRCASES



DETAIL SHOWING CONSTRUCTION OF TREADS. escala 1/4



ELEVATION OF STAIRCASE. escala 1/96