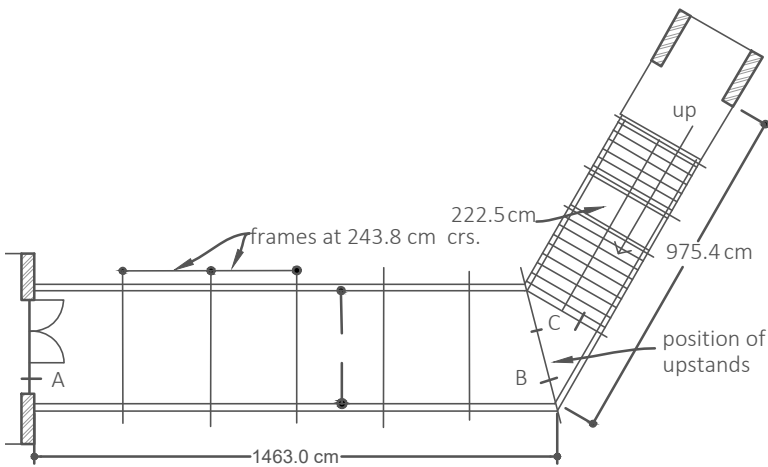
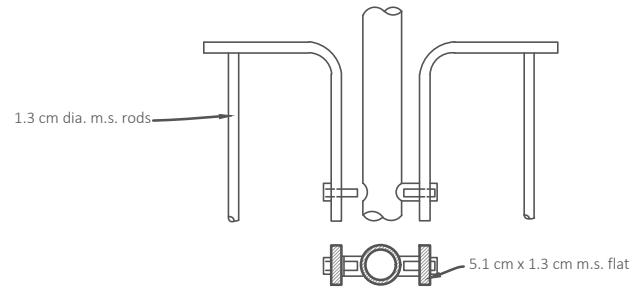
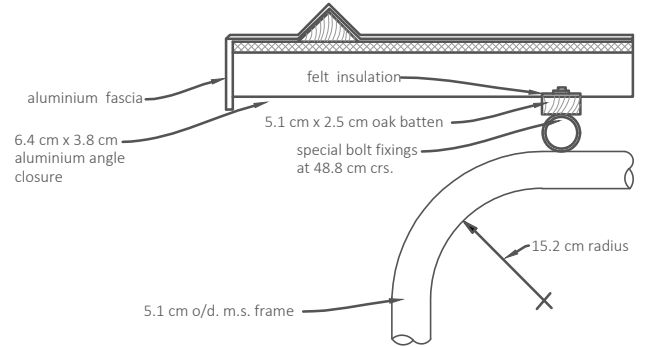


SECTION THROUGH COVERED WAY.
SCALE 0.5 cm = 30.5 cm

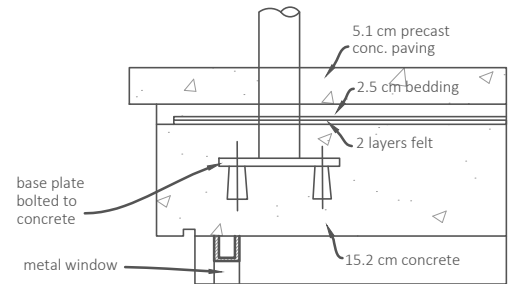


PLAN. scale 0.16 cm = 30.5 cm

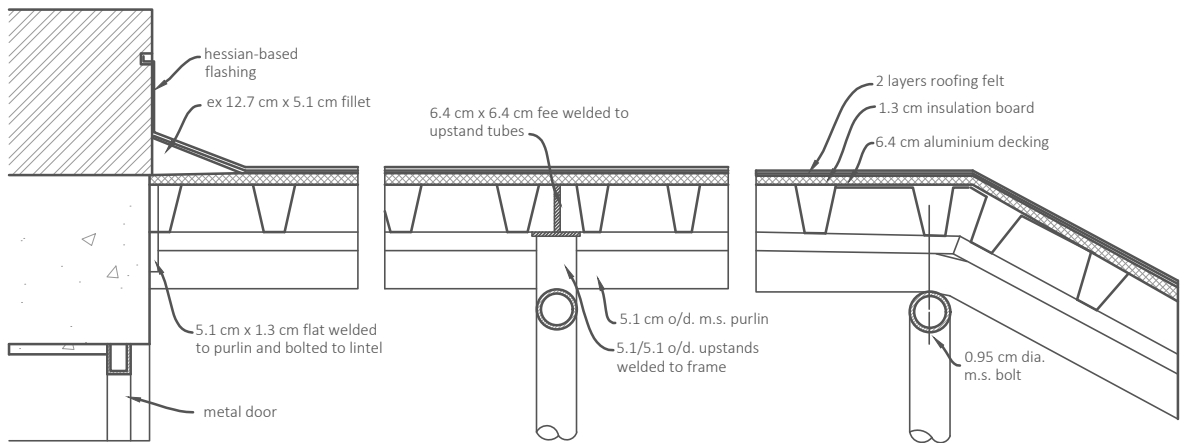
COVERED WAYS AND CANOPIES



plan and elevation of balustrade



DETAIL OF FRAME.
scale 3.8 cm = 30.5 cm



DETAILS OF ROOF AT A, B AND C.

scale 3.8 cm = 30.5 cm