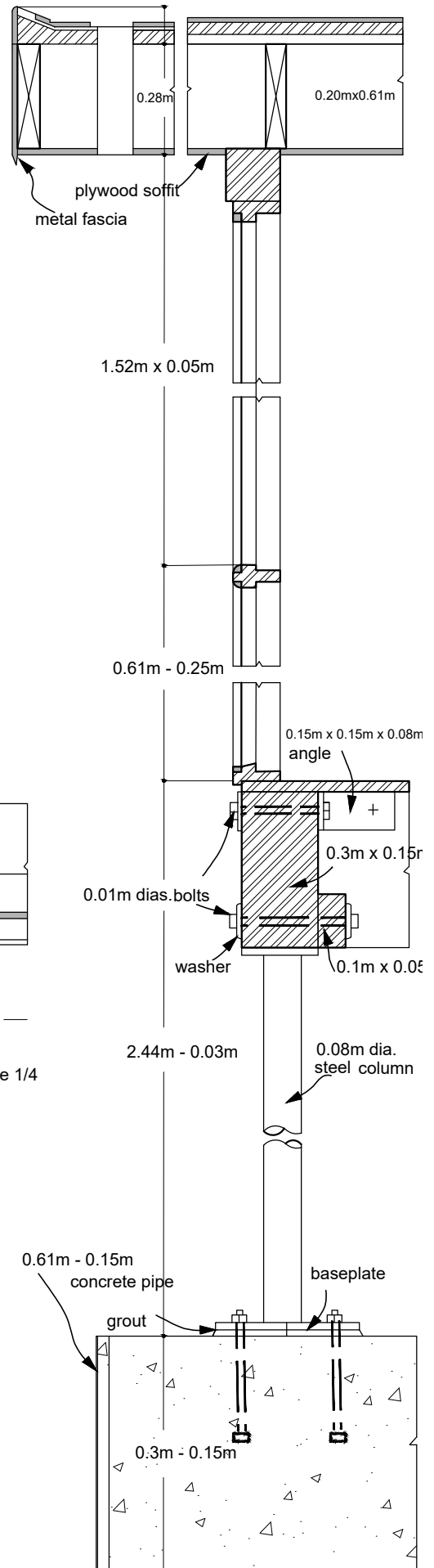
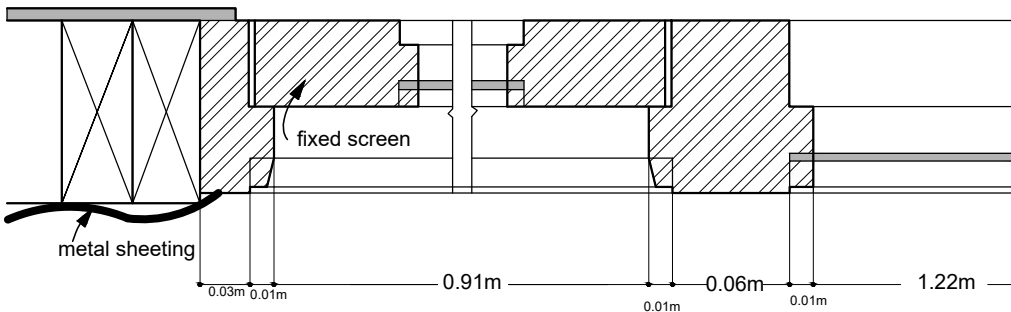


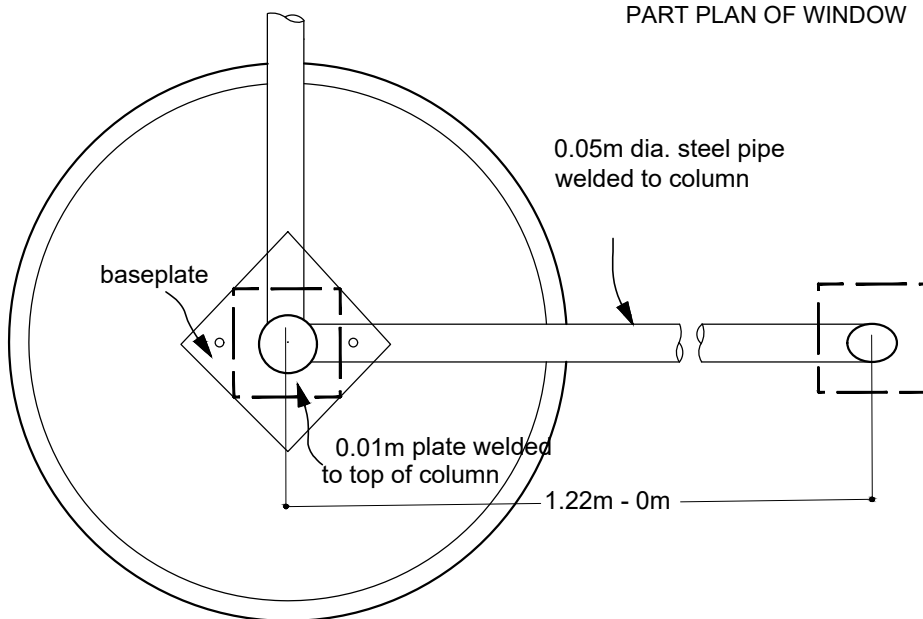
PART ELEVATION scale 1/48



SECTION THRO' WINDOW scale 1/12



PART PLAN OF WINDOW scale 1/4



PLAN OF CORNER COLUMN scale 1/12