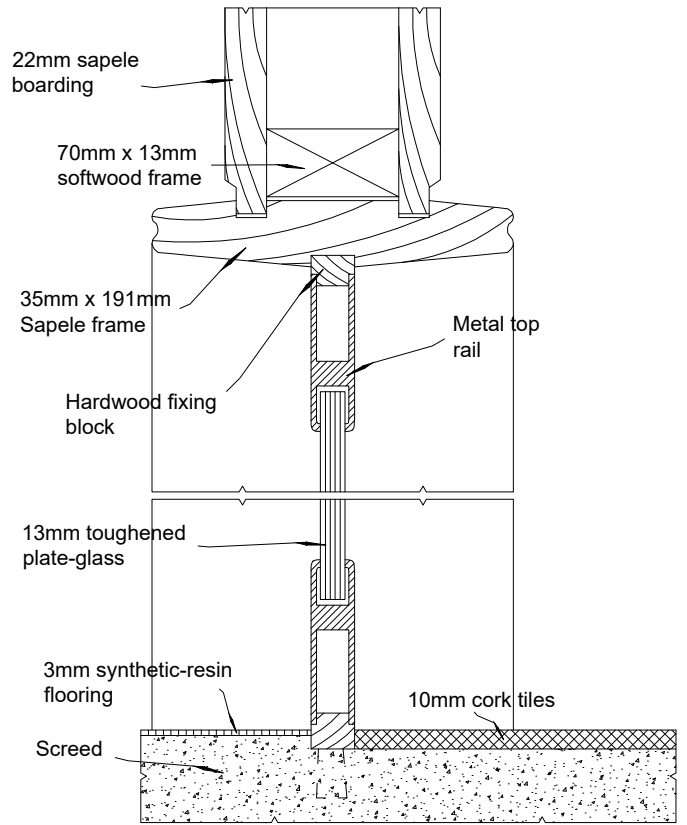
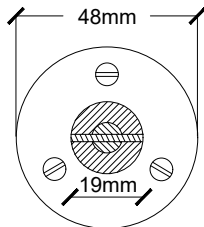


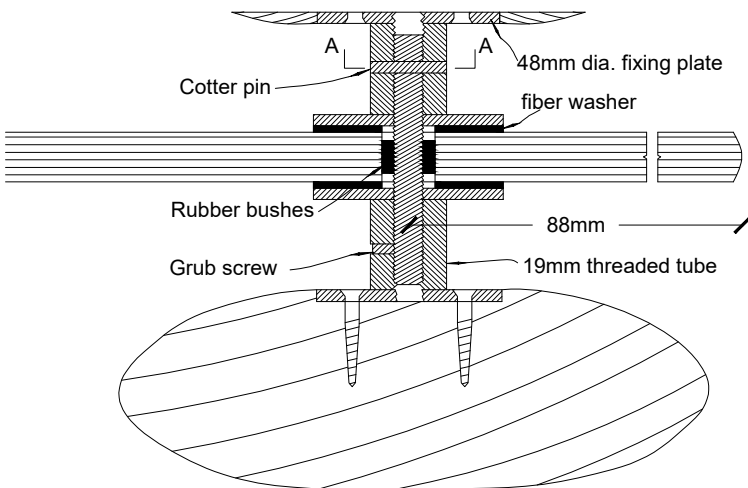
ELEVATION. Scale 1/25



VERTICAL SECTION THROUGH FIXED PANEL.

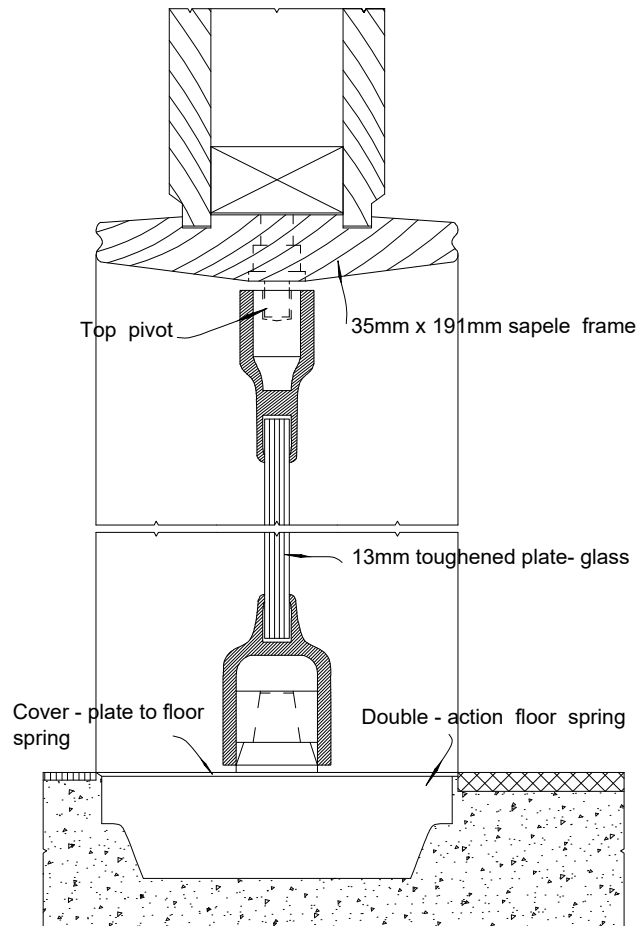


SECTION A-A.



DETAILS OF PUSH-HANDLE

Scale 1/2



VERTICAL SECTION THROUGH DOOR.

Scale 1/4