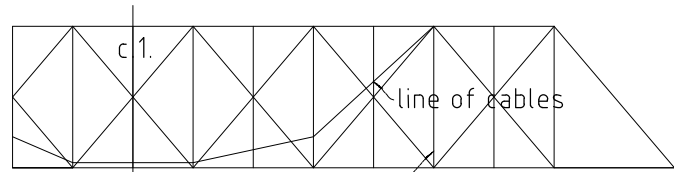
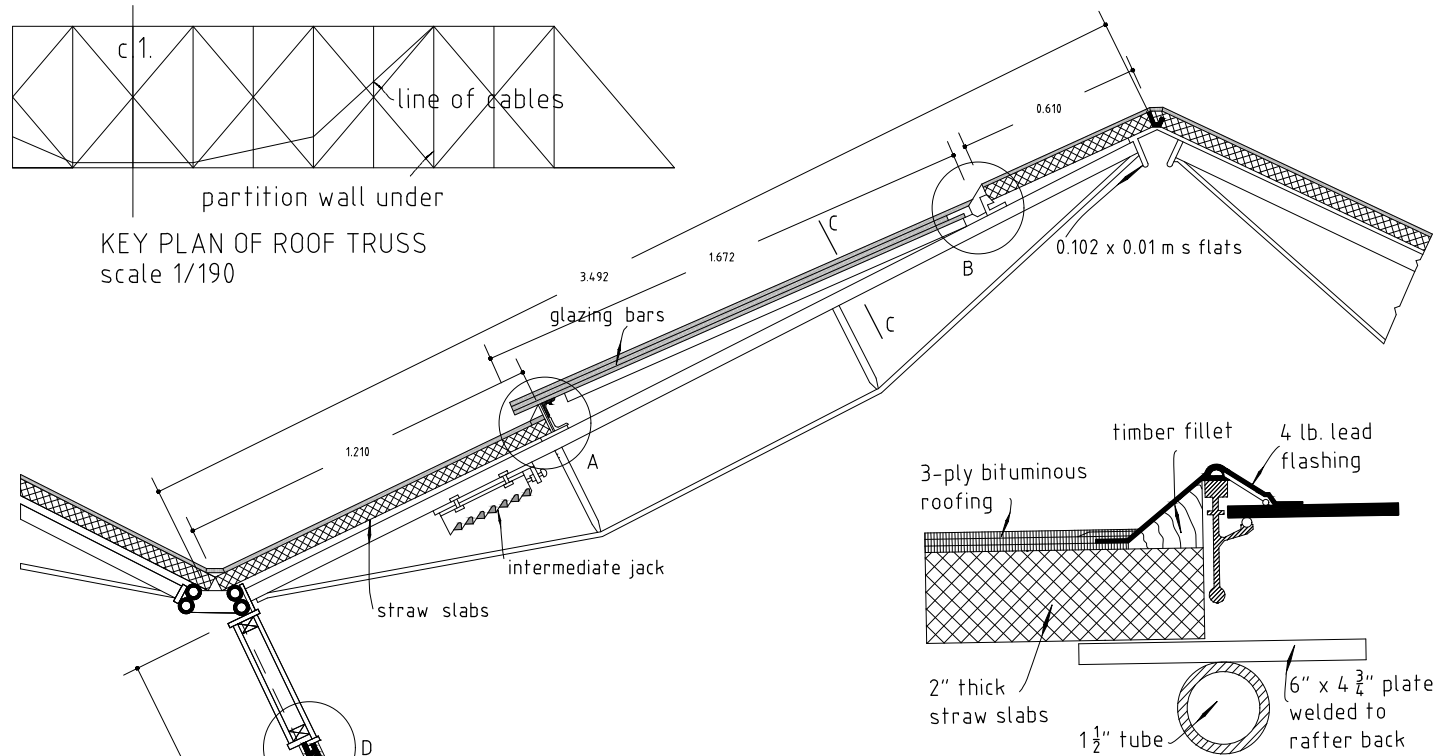


ROOFS AND CEILINGS



KEY PLAN OF ROOF TRUSS
scale 1/190



hardwood fascia
screwed to ends of
0.038 x 0.064 bearers

service duct

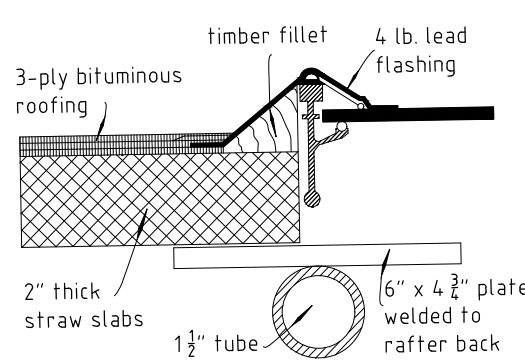
fluted asbestos - cement
sheeting

0.051 x 0.038 hardwood - stop edging
fixed to framing

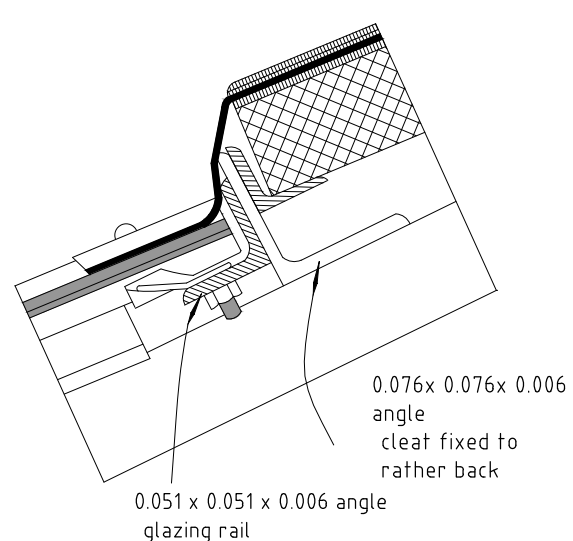
0.051 foamed slag
blocks faced with
0.013 plaster

0.013 mastic flooring

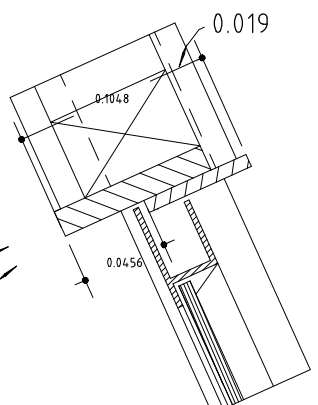
SECTION THRO' ROOFLIGHT AND OBSERVATION
WINDOW
scale 1/25



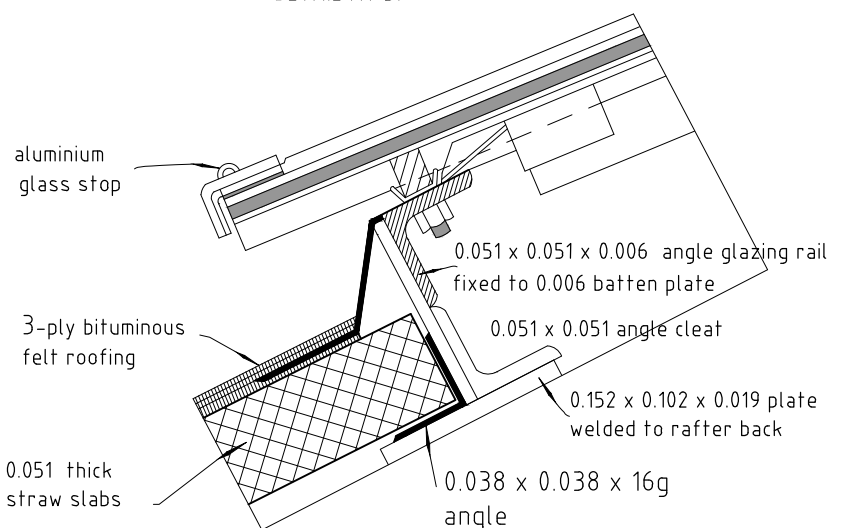
DETAIL AT C



DETAIL AT B.



DETAIL AT D. scale 1/4 full size



DETAIL AT A.