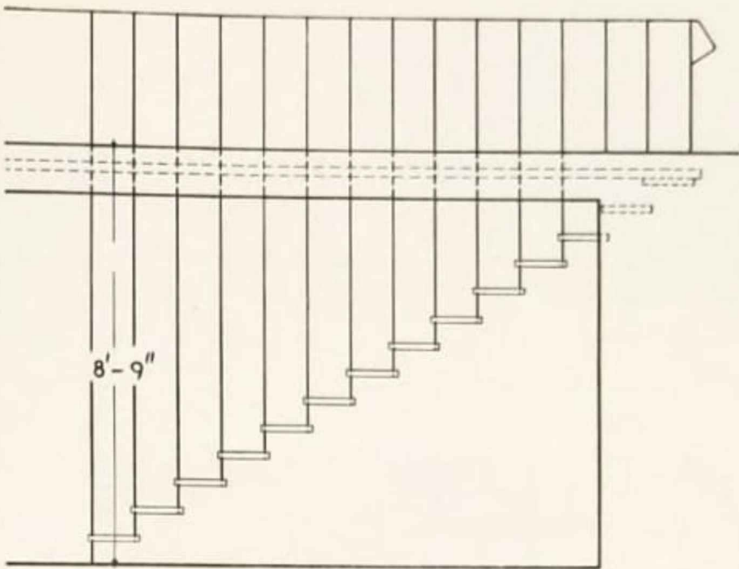
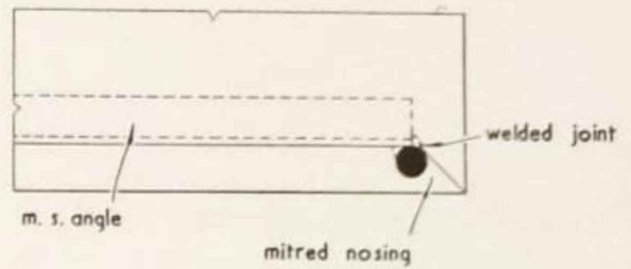


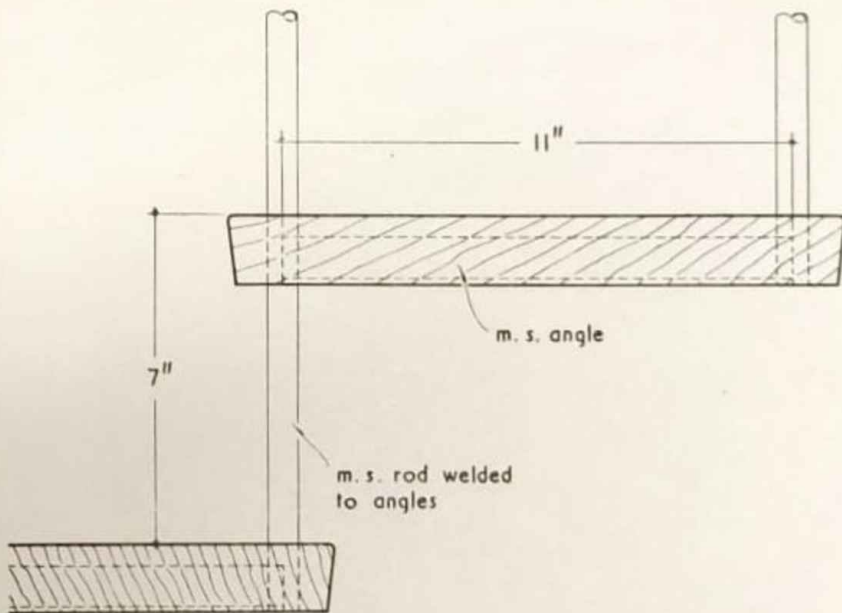
STAIRCASES



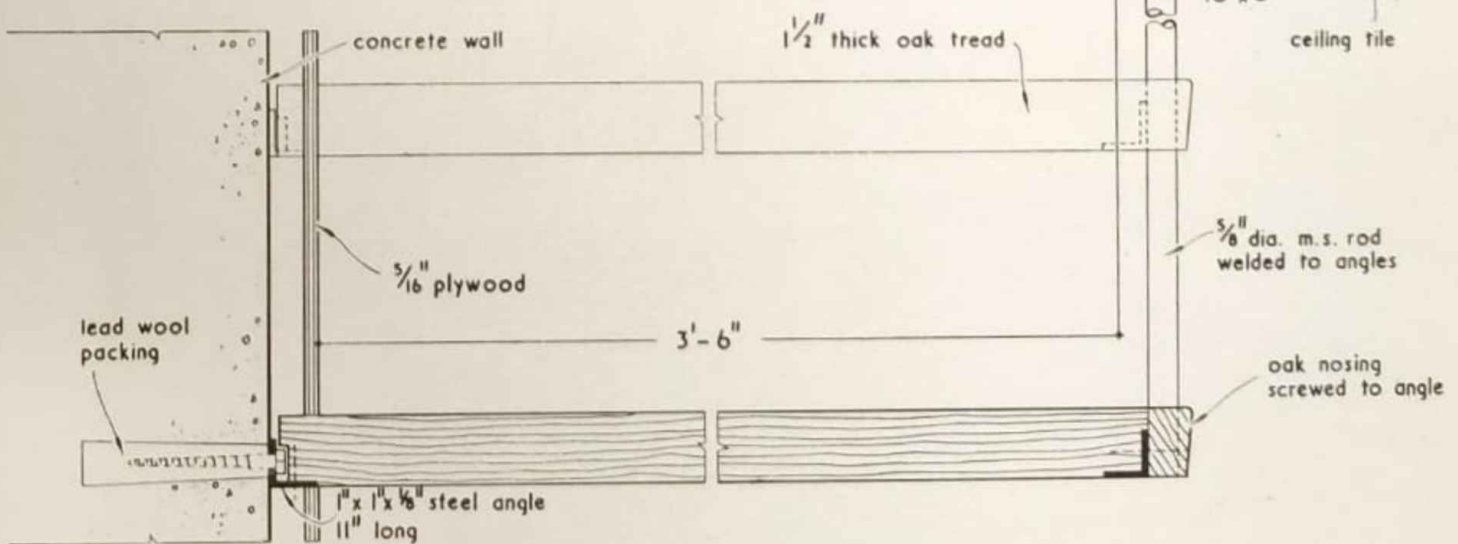
ELEVATION OF STAIR. scale $\frac{1}{4}'' = 1' - 0''$



PART PLAN OF TREAD.



LONGITUDINAL SECTION THROUGH STAIR. scale $\frac{1}{4}$ full size



CROSS SECTION THROUGH STAIR AND HANDRAIL. scale $\frac{1}{4}$ full size