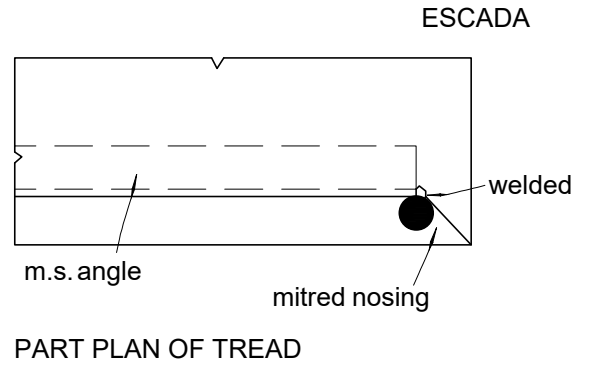
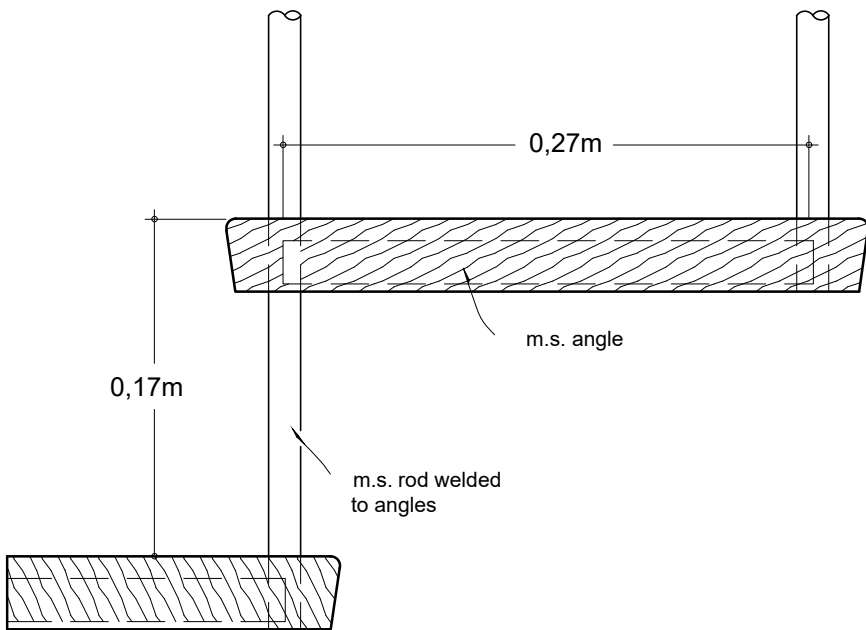


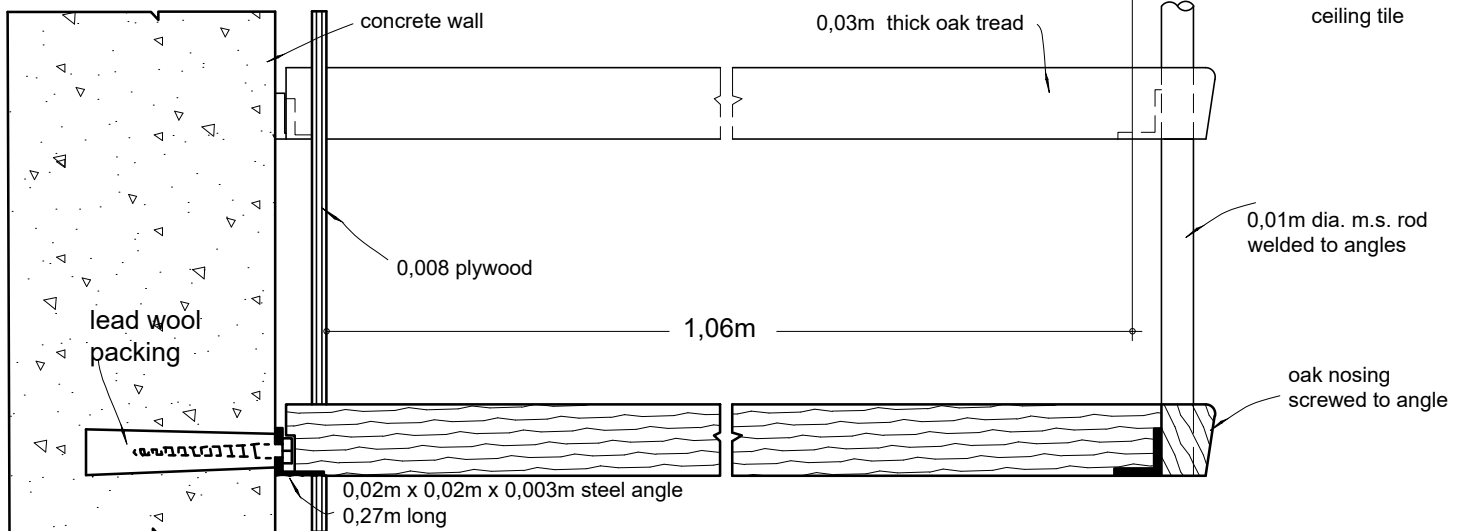
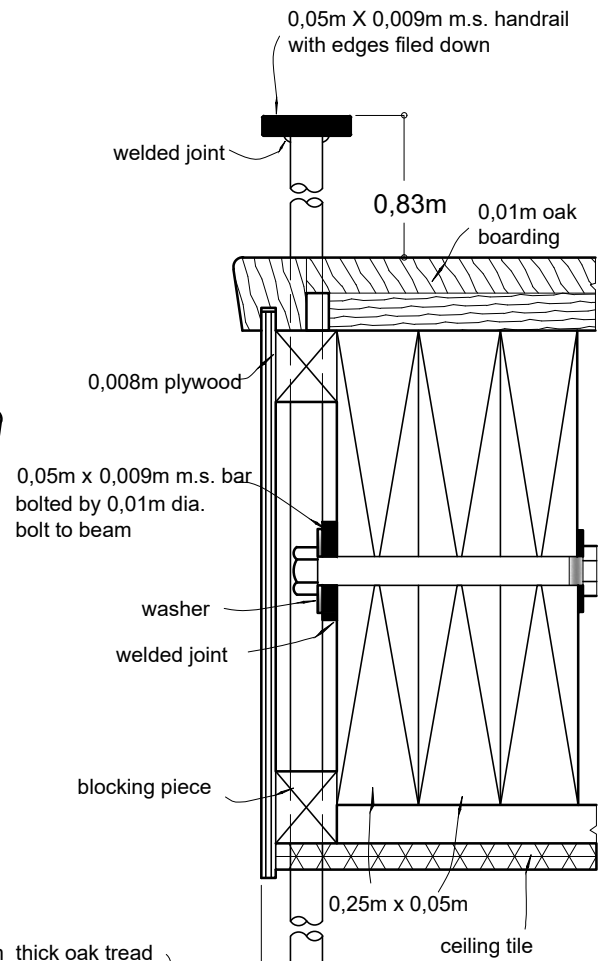
ELEVATION OF STAIR. scale 1/50



PART PLAN OF TREAD



LONGITUDINAL SECTION THROUGH STAIR scale 1/4 full size



CROSS SECTION THROUGH STAIR AND HANDRAIL . scale 1/4 full size

Aluno: Ramiro Lordelo  
Turma: C