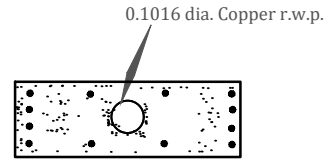
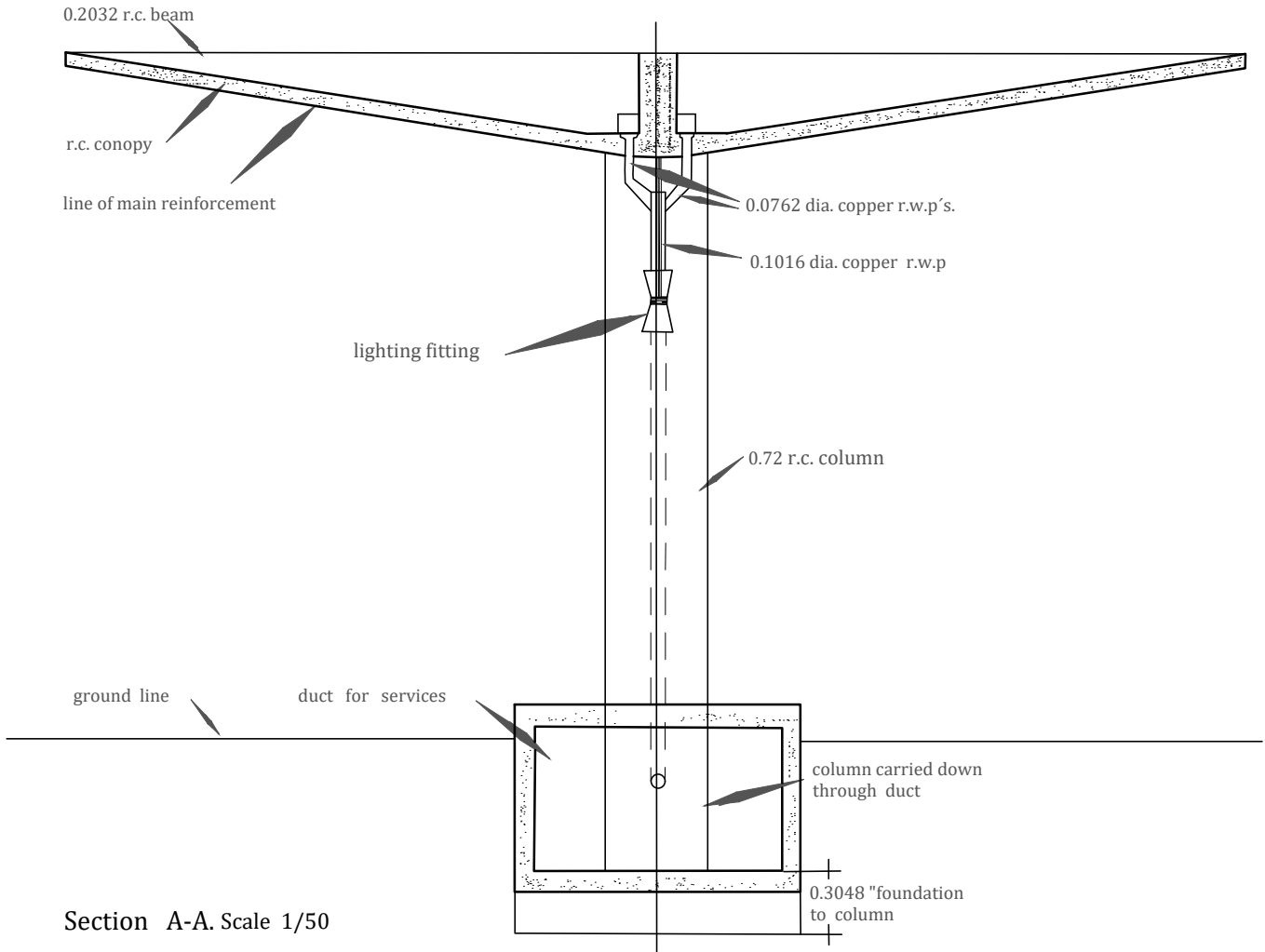


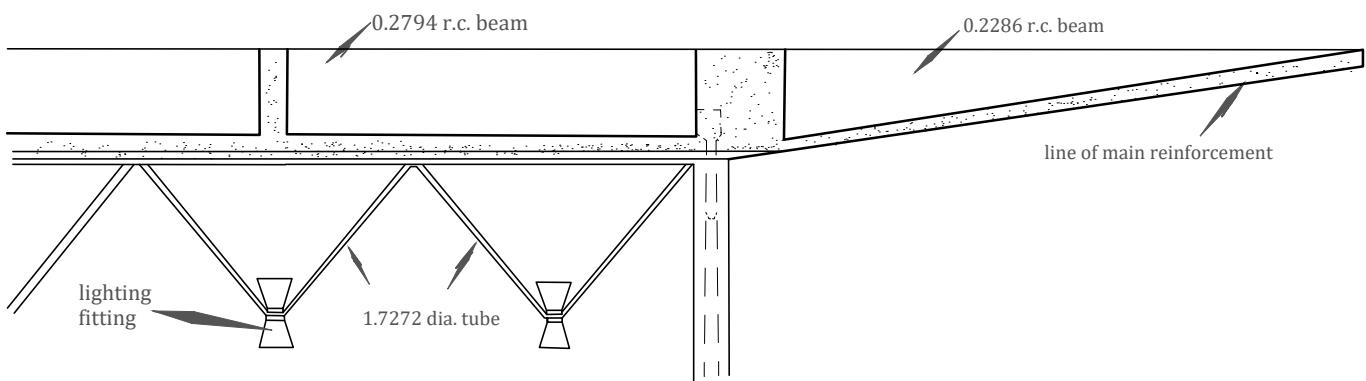
Key Plan. scale 1/400



Plain Of Column. Scale 1/25



Section A-A. Scale 1/50



Section B-B. scale 1/50