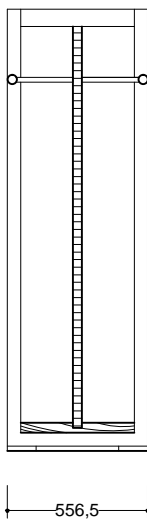
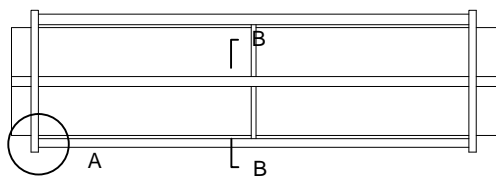


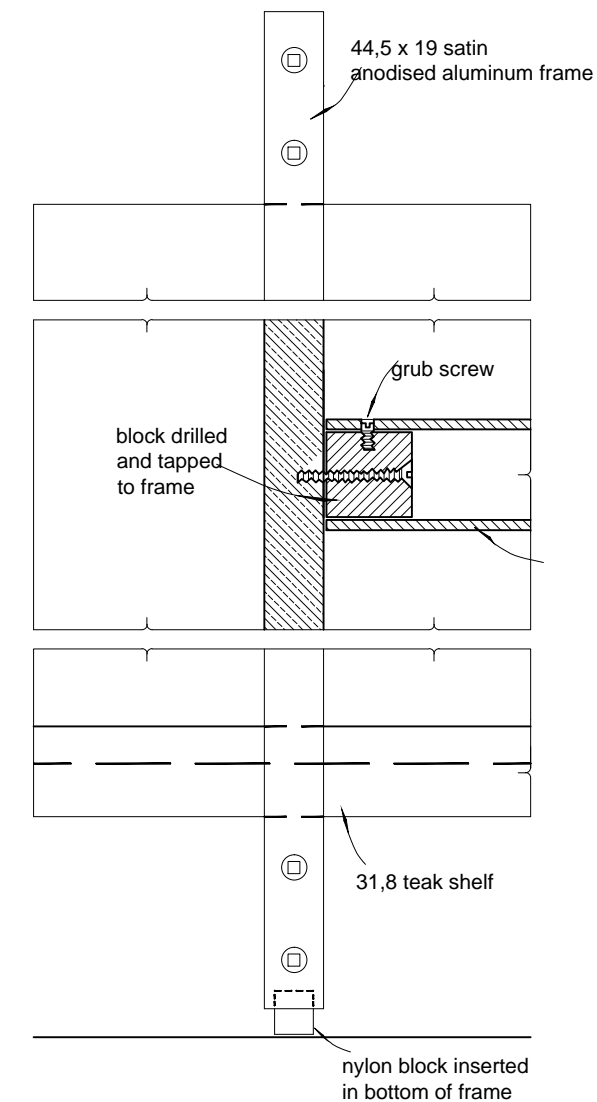
ELEVATION. scale 1:30



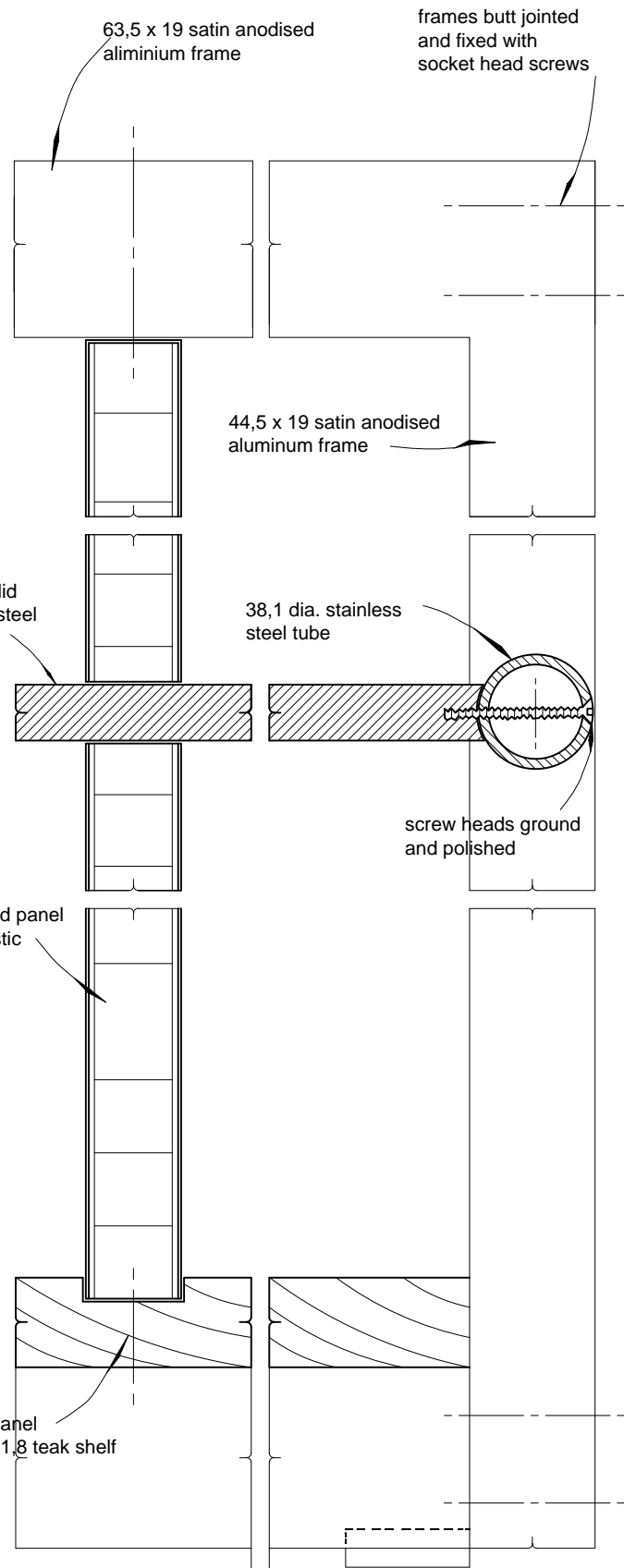
SECTION.



PLAN. scale 1:30



DETAIL AT A. scale 1:10



SECTION B-B. scale 1:10